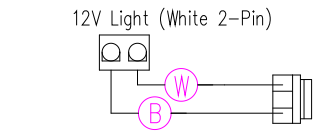
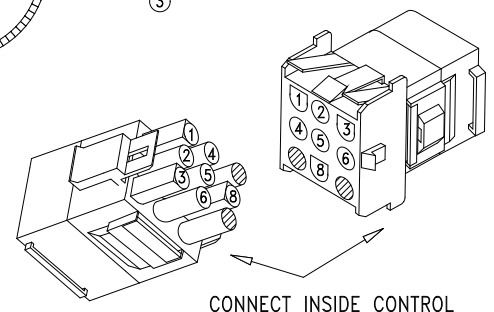
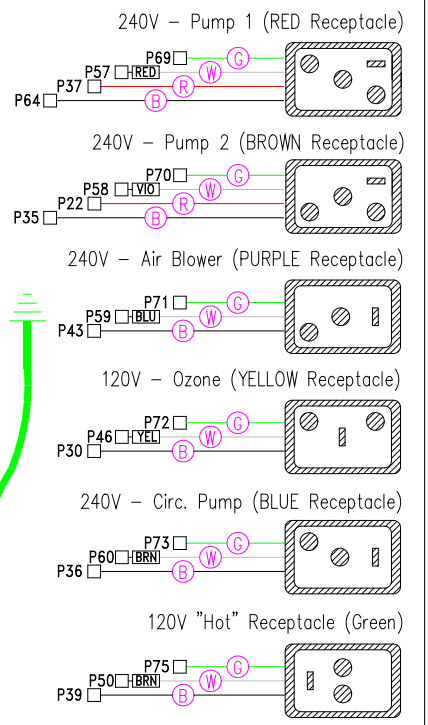
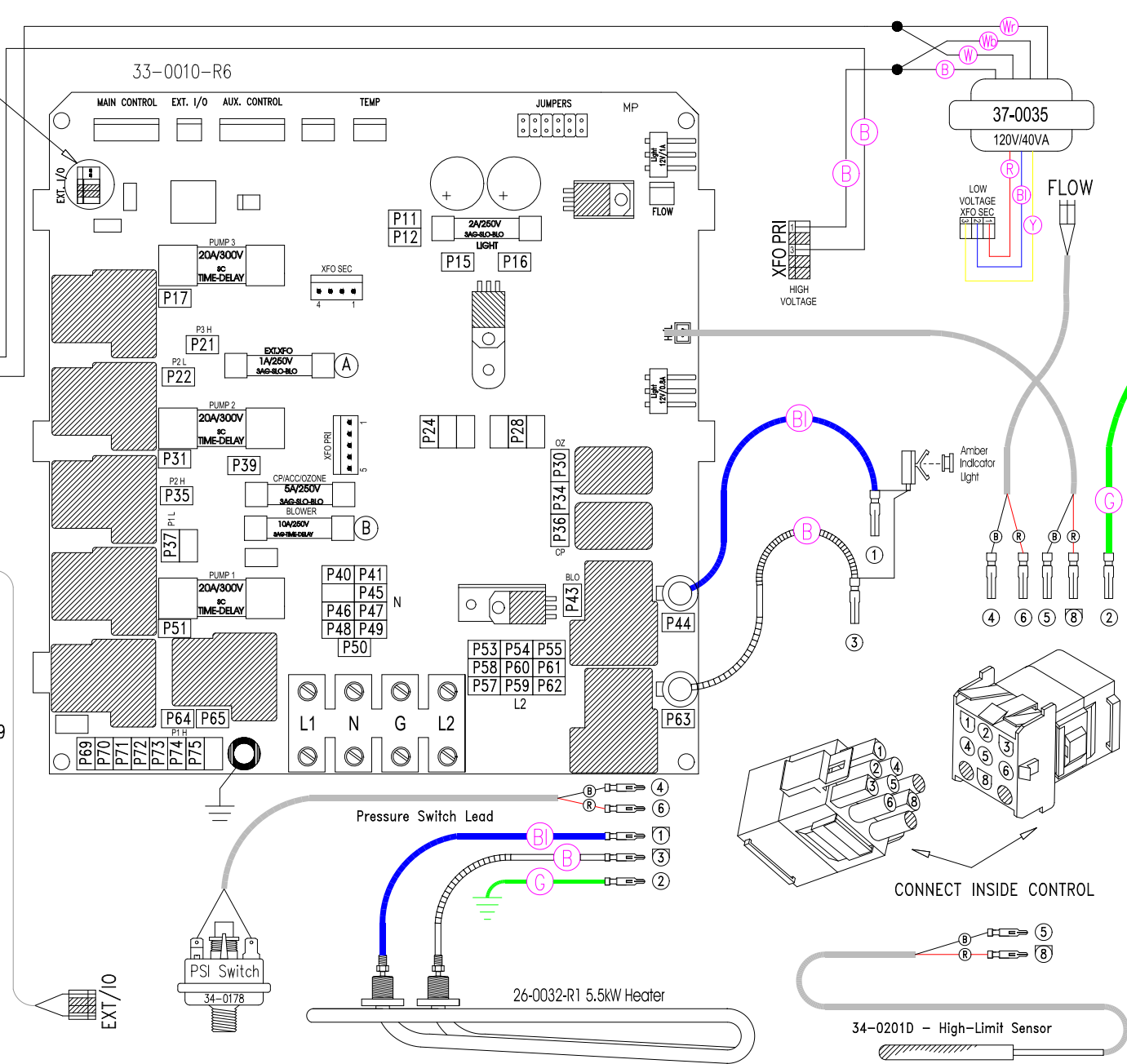


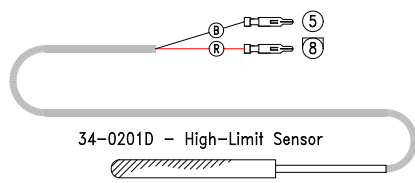
High-Limit LED must be installed as shown (lower 4 pins)



- SYSTEM FUSE**
RED INDICATOR LIGHT
- HIGH-LIMIT**
RED INDICATOR LIGHT
- PUMP 1 FUSE**
RED INDICATOR LIGHT
- PUMP 2 FUSE**
RED INDICATOR LIGHT
- AIR BLOWER FUSE**
RED INDICATOR LIGHT
- OZON/CIRC. FUSE**
RED INDICATOR LIGHT



CONNECT INSIDE CONTROL



LEGEND	
	- 1/4" QUICK CONNECT
	- 1/4" PIGGYBACK
	- FORK CONNECTOR
	- RING CONNECTOR
	- SOCKET CONNECTOR
	- PIN CONNECTOR

HYDRO-QUIP
CORONA, CA (909) 273-7575

Manufacture Notes:

Dwg. No. **CS222A0-K**

Drawn BH
Rev 7
Date 12.04.03
Diagram No. **4523**

Wire Color Code	
B - Black	G - Green
Br - Brown	Bl - Blue
R - Red	V - Violet
O - Orange	W - White
Y - Yellow	Gr - Gray

Dual Heater Connection: Standard Heater Connected at Factory.

For Remote Heater: Disconnect Factory Installed Heater at 9-Pin Connection. Install Remote Heater Bracket and Secure 9-Pin Receptacle. Connect Remote Heater Externally.